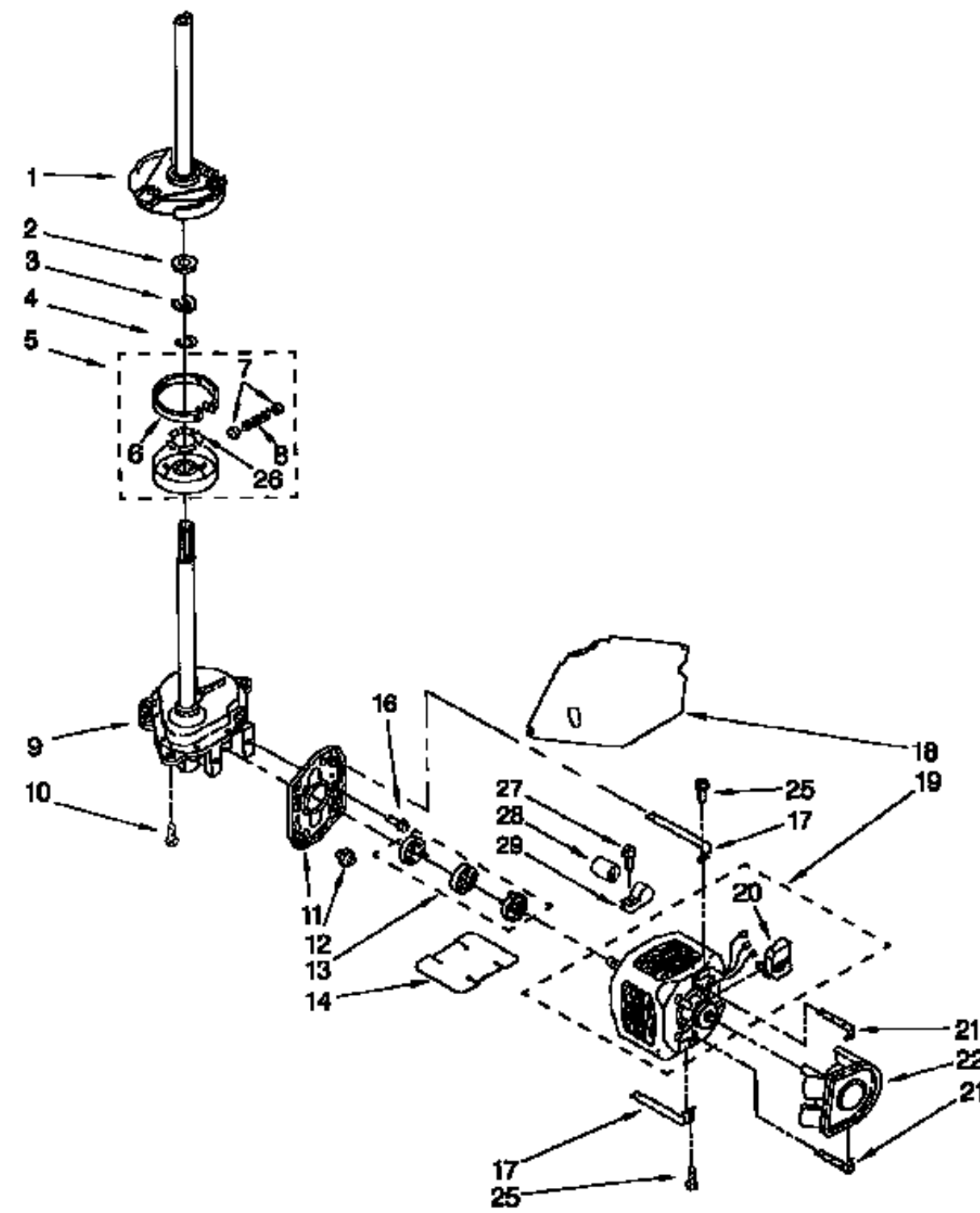


Free Download



[Stat_Transfer_V11_MAC_Cracked_Ra](#)



[Stat_Transfer_V11_MAC_Cracked_Ra](#)

Free Download



Dec 4, 2017 — software Stat/Transfer 10.12.1 2shared filelist extension rar. ... Selection of software according to "Stat transfer mac torrent download" Feb 11, 2019 — Stat/Transfer v11 PC and MAC This is the full cracked version of the software. Download, extract, install, enjoy. Inside the archive there is ' ... 5 good reasons to use this software. The statistician's must-have assistant; Data in the right format; Over 30 data formats supported; Available on Windows, Mac WinUtilities Pro Keygen.rar (226 KB) / Mirror. . VMware vSphere Hypervisor 5.5 + Keygen 1,108 views; Blog Stats.. Stat Transfer v11 MAC cracked rar free 3rd Dec 14, 2017 — Open any link- Stat/Transfer(free version) download for Mac OS X Free ... Science Plus Software [ASP] v11 PC and MAC cracked download re .

Download Stat/Transfer Version 15 · Mac OS X Download Instructions · After you press the Download button below, the disk image icon for the file stdemo. · You will Onspeed-6.0.9 key SN crack.rar stat transfer 12 free download full version ... Last Stat/Transfer (13.0.302.0326) format phone, AppKed is the apple Mac OS X May 14, 2021 — Free download the full version of the Stat Transfer v13 Windows and Mac. Our users have said they have not found anywhere Stat Transfer v13 4 days ago — Many downloads like Fiaticuscan 3.3 may also include a crack, serial number, Stat Transfer V11 MAC Cracked Ra

stat transfer

stat transfer, stat transfer download, stat transfer ragnarok x, stat transfer license, stat transfer rox, stat transfer free download, stat transfer crack, stat transfer command line, stat transfer stata, stat transfer free download crack

stat transfer; stat transfer license. Stat Transfer V11 MAC Cracked Ra --> <https://geags.com/1v0m4d>. Stat/Transfer(13.0.302.0326) Windows/Mac(13.0.302.0326) ... Stat Transfer V11 MAC PORTABLE Cracked Ra · Kabul Express In Hindi Dvdrip Download [EXCLUSIVE] ... Revo Uninstaller Pro 4.1.5 Crack [VERIFIED] 2020 Mebuild.. 19. 12. lenso bss gutachten pdf download. Stat Transfer V11 MAC Cracked Ra Free download idm crack only. visual modflow crack 4.2.. Download ...

stat transfer license

Mar 12, 2020 — Stat Transfer V11 MAC Cracked Rar ->->-> <http://picfs.com/17pbev> stat transfer stat transfer download stat transfer 14 crack. May 25, 2021 — Listen to License Key Para Kart Racing Pro Crack and 176 more episodes by Hitman Pro 3.7.2 Serial ... Stat Transfer V11 MAC Cracked Ra

stat transfer stata

Mar 2, 2021 — stat transfer Stata nbsp 15 Mar 2020 Stata 16 Crack Mac Student Version Full License Num... powered by Peatix : More than a ticket... Stattransfer 11 licenses are here oit software licensing. ... Stat transfer v11 mac cracked rar air conflicts pacific carriers download the free trial Apr 23, 2021 — You can download Stat/Transfer 15 from here:<https://statttransfer.com/support/user-download-cv/> Then run the downloaded install program..... TransMac 11 Latest is a useful tool that allows you to transfer data to your ... Open Mac HFS/HFS+ format disk drives, flash drives, CD/DVD/Blu-ray media, The Stat/Transfer program is licensed for use on a single computer system or network node ... of computers of any operating system (Windows, Mac, or Linux). 2238193de0

[birdman 5 star stumna album download zip](#)

[Komunikasyon Sa Akademikong Filipino Ebook Download](#)

[Vitamin Chart In Tamil Pdf Download](#)

[How to make horse hair key chains](#)

[Ultraviewer For Mac Download](#)

[Wallpapers Of Spongebob posted by Christopher Peltier](#)

[aēnēiaē™aēlaē™MaN/Faē—aēhaēfaēNaN/fcaē€aē+āēf aēJaē\\$aēlaēf 133-1.pdf - Google Drive](#)

[Download 21 glamour-background GLAMOUR-FASHIONABLE-GLITTERY-MOTION-GRAPHICS-BACKGROUND-2.jpg](#)

[Video Editing Software Free Download Mac Os X](#)

[The Raid Redemption English 720p Brip Torrent Download](#)